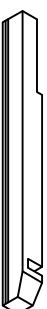
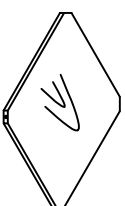
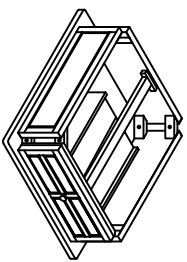





ASSEMBLY INSTRUCTION

3257RF-04 END TABLE

PARTS LIST:



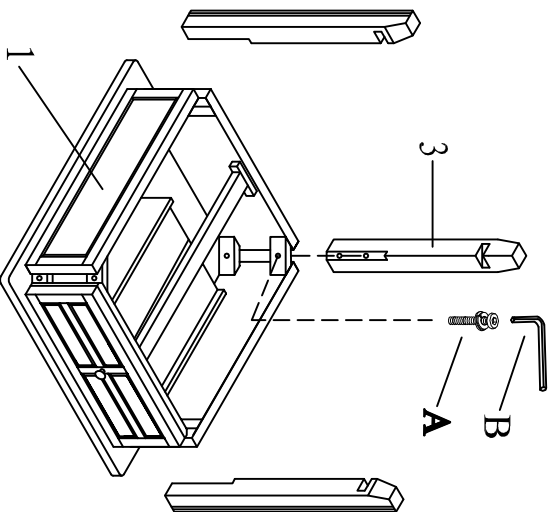
HARDWARE LIST			
A		Ø1/4"*2"L	8PCS
B		4mm	1PC
C		WOOD DOWEL Ø8*40mm	4PCS

1: TABLE TOP 1pc

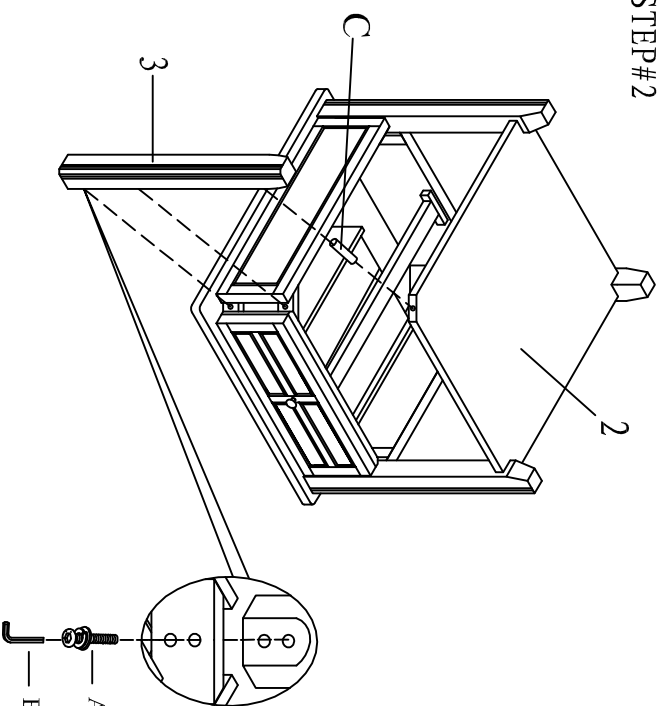
2: BOTTOM SHELF 1pc

3: LEG 4pcs

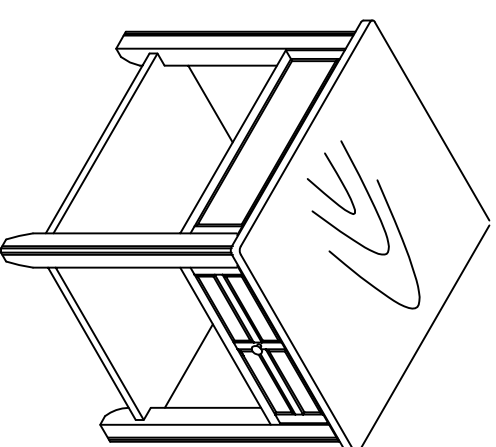
STEP#1



STEP#2



COMPLETED



For items use on wooden floor, hard surfaces or carpets, it is recommended to install protective pads under all legs and supports to avoid/prevent from damages/scratches and discoloration.