








Assembly Instruction COCKTAIL TABLE

ITEM NO.: 3644-30

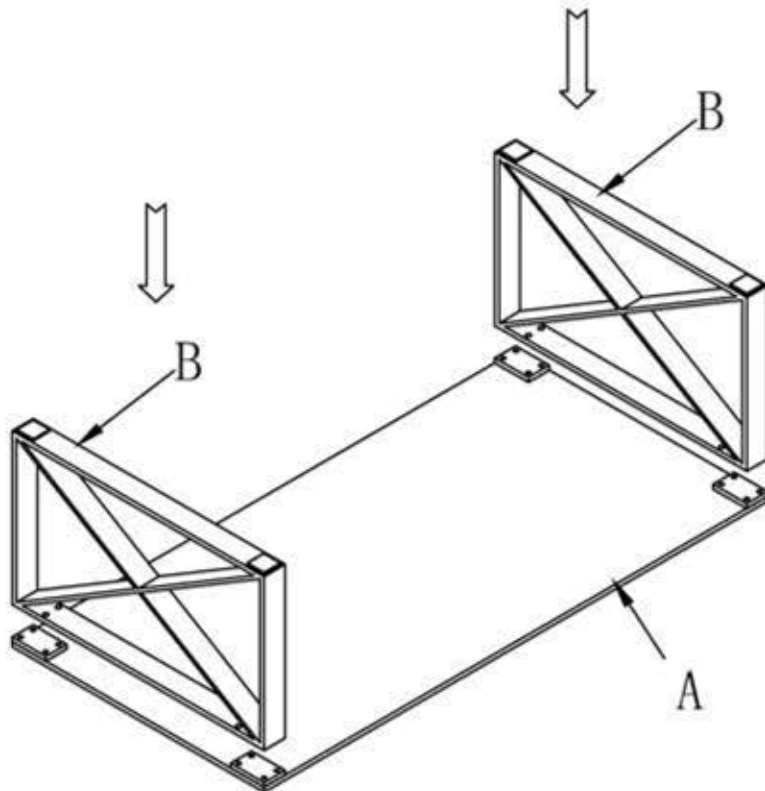
NOTE: Do not use power tools for assembly. Power tools increase the risk of over tightening which leads to splitting or cracking the wood.

COMPONENT LIST

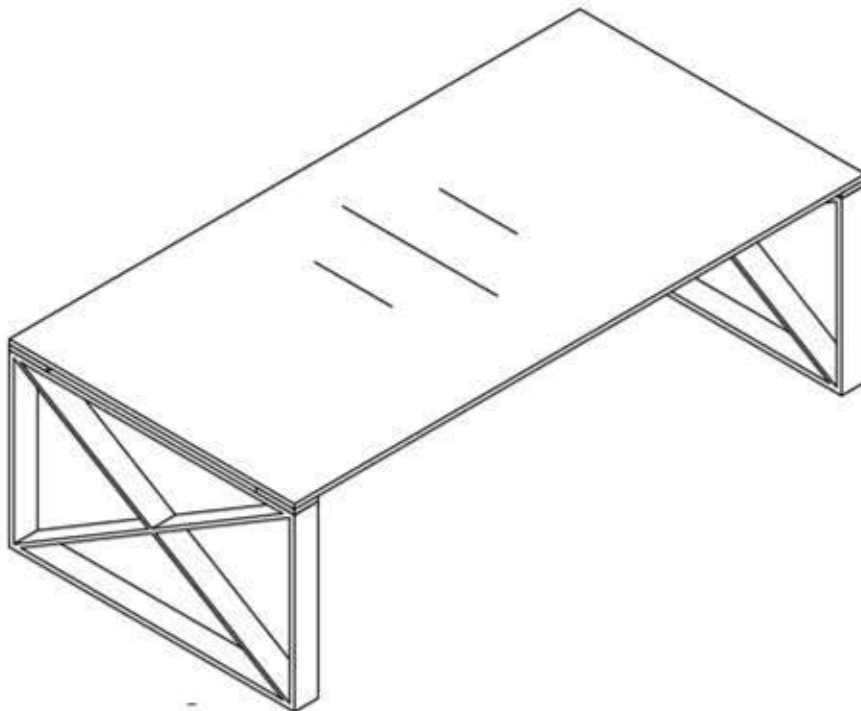
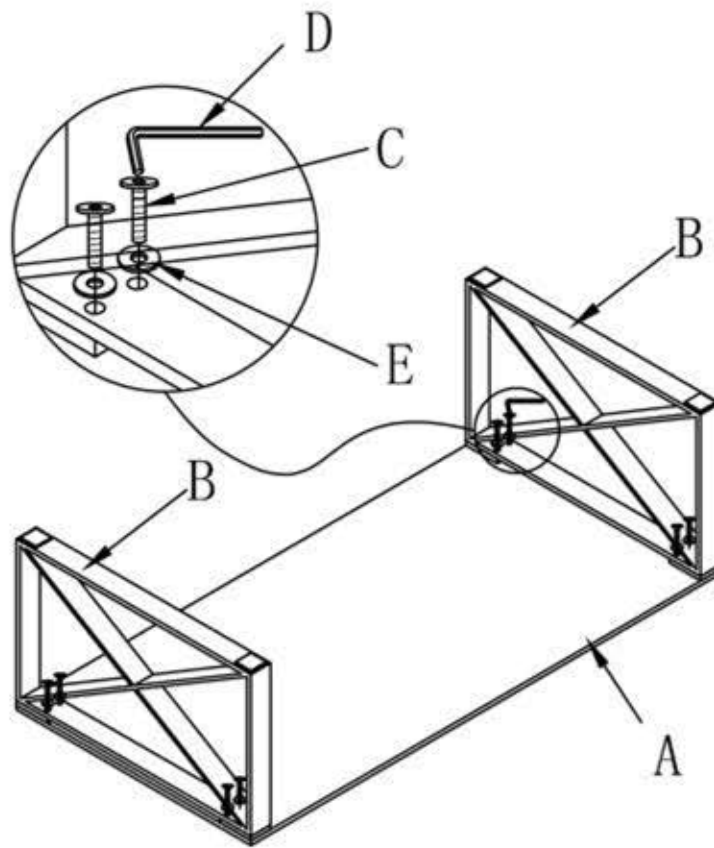
| NO. | DRAWING | QTY | DESCRIPTION |
|-----|---|-----|-------------|
| A |  | 1 | Glass Top |
| B |  | 2 | Leg |

| NO. | DRAWING | QTY | DESCRIPTION |
|-----|--|-----|----------------------|
| C |  | 8 | Allen bolt 8X16MM |
| D |  | 1 | Allen Key |
| E |  | 8 | Washer 10x19mm |

STEP#1



STEP#2



For items use on wooden floor, hard surfaces or carpets, it is recommended to Install protective pads under all legs and supports to avoid/prevent from damages/scratches and discoloration.