



ASSEMBLY INSTRUCTION


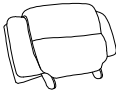


ITEM NO: 9577GY/BU/DG-1

GLIDER RECLINING CHAIR






NOTE: Do not use power tools for assembly. The use of power tools increases the risk of over-tightening, which can result in wood splitting or cracking.

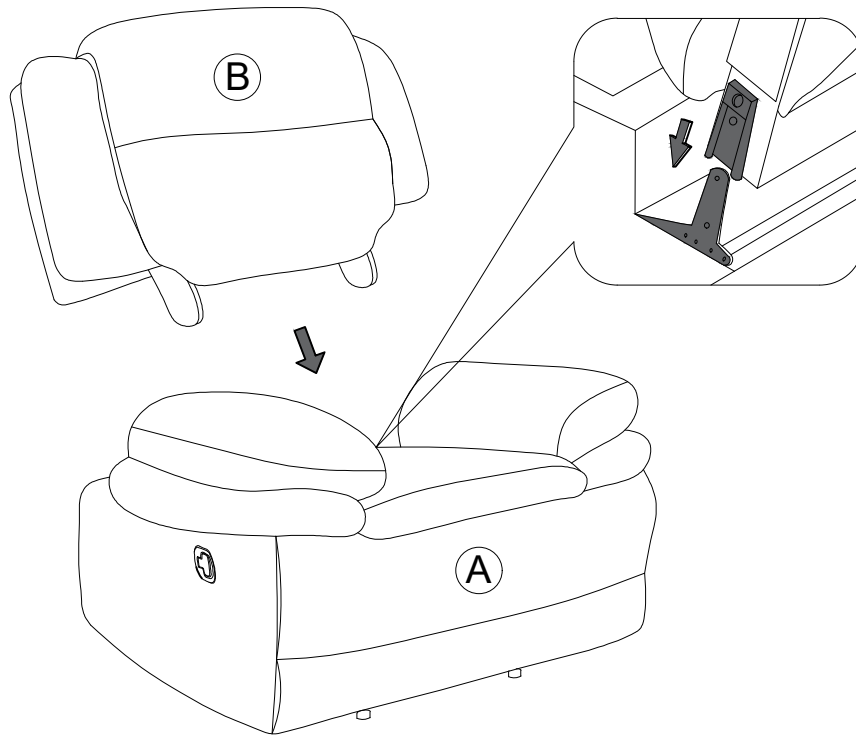
TOOLS REQUIRED : NO TOOLS REQUIRED

NO.	DRAWING	QTY	DESCRIPTION
A		1	SEAT
B		1	RECLINER BACK
C		1	LSF ARM PAD
D		1	RSF ARM PAD

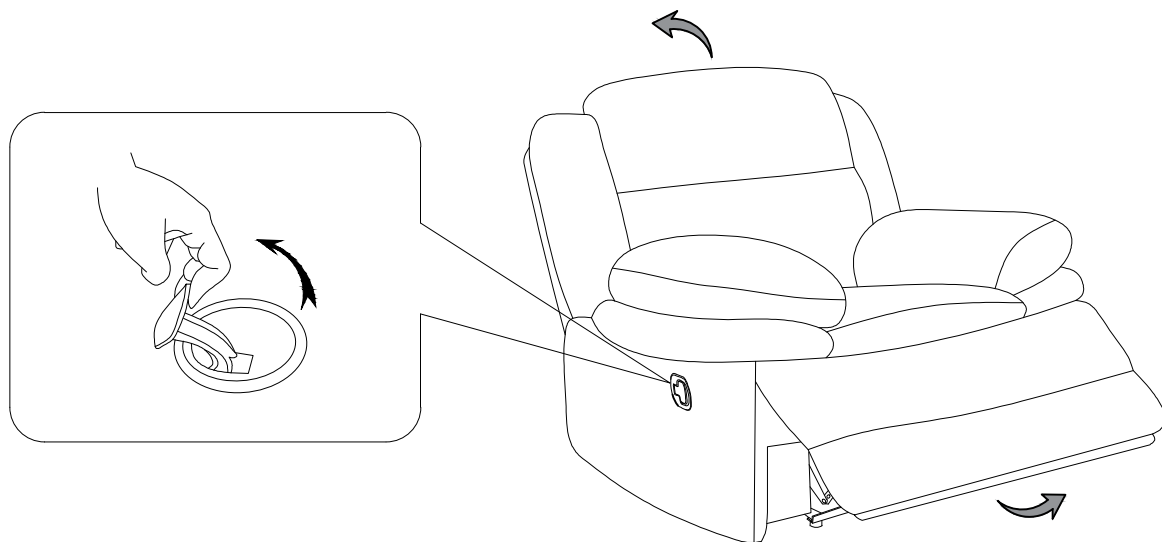
HARDWARE LIST

NO.	DRAWING	QTY	DESCRIPTION
1		4	THREADED BOLT (2.7inch)
2		4	PLASTIC NUT
3		4	WASHERS

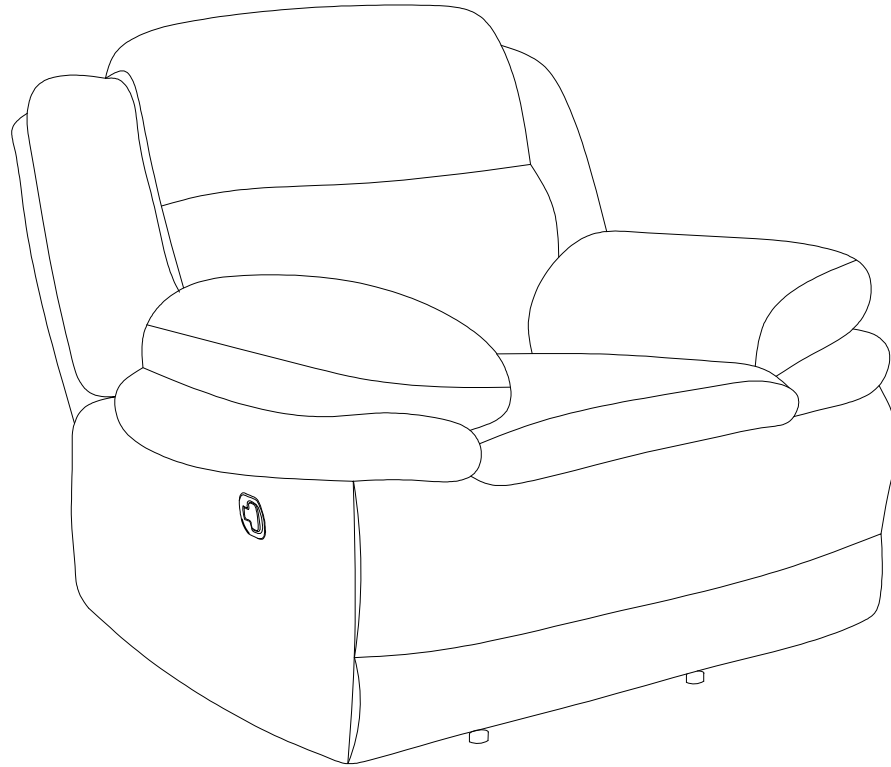
STEP 3



STEP 4



COMPLETED



Care Instruction for Corduroy Furniture.

In order to maintain the original appearance of your Corduroy furniture, please follow below simple care procedures:

- Avoid exposing furniture directly to sunlight or heating and air conditioning outlets. Sunlight and/or exposure to heating and air conditioning outlets will fade/damage Corduroy.
- Do not place your Corduroy furniture too close to windows, radiators, or vents.
- Vacuum or wipe with a soft brush to remove dust.
- Hardware may loosen over time. Periodically check to make sure all connection are tight, Re-tighten if necessary.



For items use on wooden floor, hard surfaces or carpets, it is recommended to install protective pads under all legs and supports to avoid/prevent from damages/scratches and discoloration.